

Indoor bushing - 10 - 2500

Product order code – **600 000 394**

PR – bushing

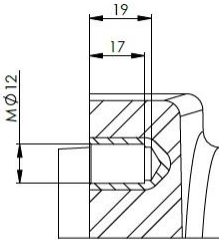
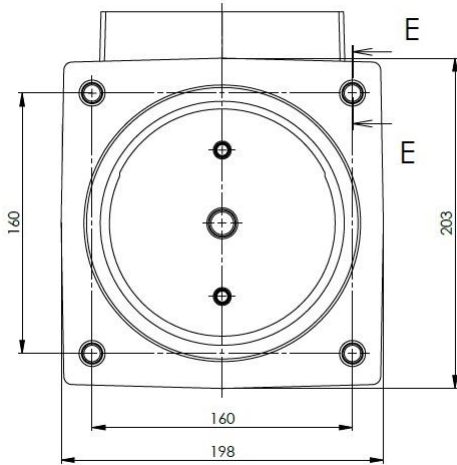
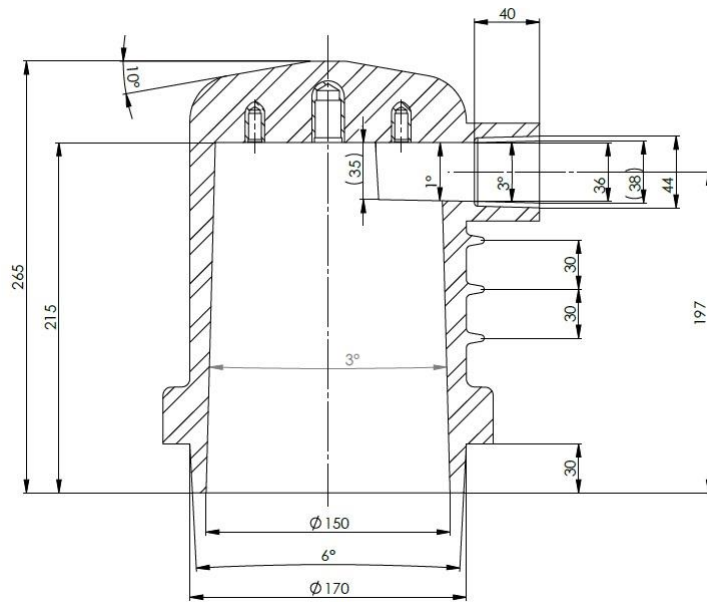
SHMI – epoxy moulding mixture for indoor use

010.0 – nominal voltage 10 kV

02500 – nominal current 2500 A

Weight – 5.6 kg





ŘEZ E-E
MĚŘITKO 1 : 1

