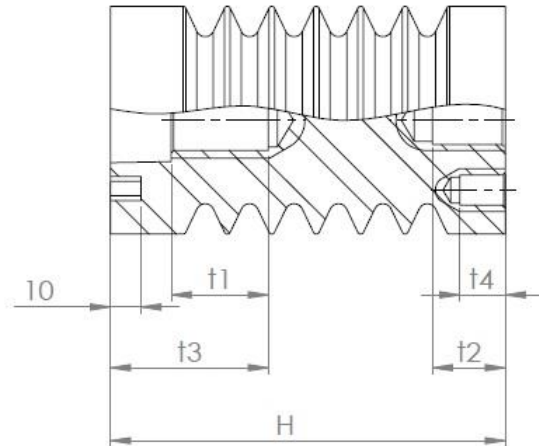
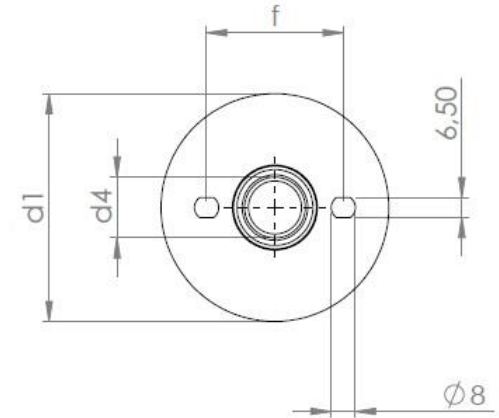
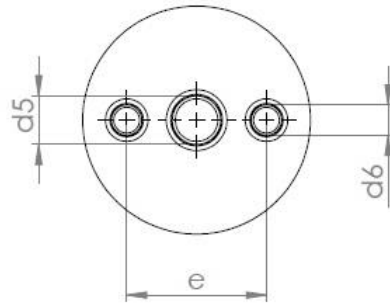


Indoor supporting insulator 10 AN



KPB Intra
Instrument Transformers

| Type of indoor supporting insulator | Highest voltage for equipment [kV] | Power frequency withstand voltage [kV] | Lightning impulse test voltage [kV] | Failing load [kN] | Height of insulator [mm] | d1 | d4 | d5 | d6 | e | t1 | t2 | t3 | t4 | f | Weight [kg] | Creepage length [mm] | Order code |
|-------------------------------------|------------------------------------|----------------------------------------|-------------------------------------|-------------------|--------------------------|----|-----|-----|-----|----|----|----|----|----|----|-------------|----------------------|-------------|
| 10AN-1 | 12 | 28 | 75 | 8 | 130 | 60 | M16 | M10 | M 6 | 36 | 25 | 15 | 40 | 13 | 38 | 0,6 | 193 | 600 000 025 |
| 10AN-2 | 12 | 28 | 75 | 8 | 130 | 60 | M16 | 0 | M 8 | 36 | 25 | 0 | 40 | 12 | 38 | 0,6 | 193 | 600 000 026 |
| 10AN-3 | 12 | 28 | 75 | 8 | 130 | 60 | M16 | 0 | M 6 | 36 | 25 | 0 | 40 | 13 | 38 | 0,6 | 193 | 600 000 037 |

